

ATS266

High Voltage Hall Effect Latch

■ Features

- On-chip Hall sensor
- Operating voltage: 4V~28V
- Internal bandgap regulator allows temperature compensated operations and a wide operating voltage range
- High output sinking capability up to 400mA for driving large load
- Build in protection diode for chip reverse power connecting (Note 1)
- Package: SIP-4L

■ Application

- Dual coils Brush-less DC Motor
- Dual coils Brush-less DC Fan
- Revolution Counting
- Speed Measurement

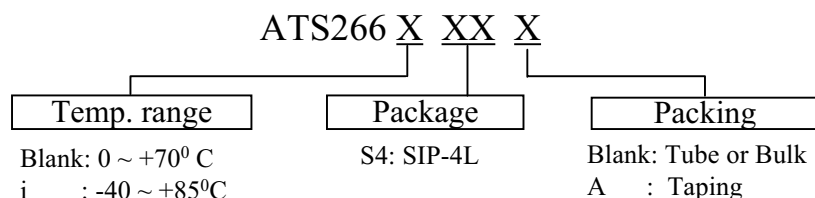
■ General Description

ATS266 is an integrated Hall sensor with output drivers designed for electronic commutation of brush-less DC motor applications. The device includes an on-chip Hall voltage generator for magnetic sensing, a comparator that amplifies the Hall voltage, and a Schmitt trigger to provide switching hysteresis for noise rejection, and complementary darlington open-collector drivers for sinking large current loads. An internal bandgap regulator is used to provide temperature compensated supply voltage for internal circuits and allows a wide operating supply range.

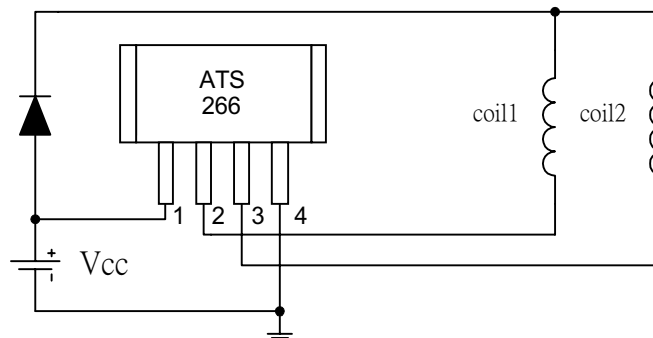
If a magnetic flux density larger than threshold B_{op} , DO is turned on (low) and DOB is turned off (high). The output state is held until a magnetic flux density reversal falls below B_{rp} causing DO to be turned off and DOB turned on. ATS266 is rated for operation over temperature range from 0°C to 70 °C and voltage range from 4.0V to 28V. The devices are available in low cost die forms or rugged 4 pin SIP packages.

Note 1. Protection diode only exist at power pin (1,4) output pin (2,3) were not included.

■ Ordering Information



■ Typical Circuit



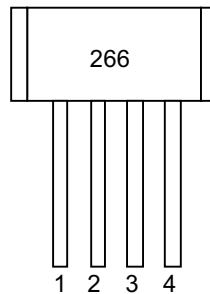
This datasheet contains new product information. Analog Technology reserves the rights to modify the product specification without notice. No liability is assumed as a result of the use of this product. No rights under any patent accompany the sale of the product.

ATS266

High Voltage Hall Effect Latch



■ Pin Configuration



Front View

1 : VCC

2 : DO

3 : DOB

4 : VSS

Name	P/I/O	Pin #	Description
VCC	P	1	Positive Power Supply
DO	O	2	Output Pin
DOB	O	3	Output Pin
VSS	P	4	Ground

■ Absolute Maximum Ratings

- Supply Voltage, V_{cc} 28V
- Reverse V_{CC} Polarity Voltage, V_{RCC} -20V
- Magnetic flux density, B Unlimited
- Output OFF Voltage, V_{ce} 50 V (Note 1)
- Output ON Current, I_c
 - Continuous 0.4A
 - Hold..... 0.7A
 - Peak (Start Up) 1A
- Operating Temperature Range,
 - T_a (0 °C to 70 °C)
- Storage Temperature Range,
 - T_s (-65 °C to +150 °C)
- Package Power Dissipation,
 - P_d 600mW

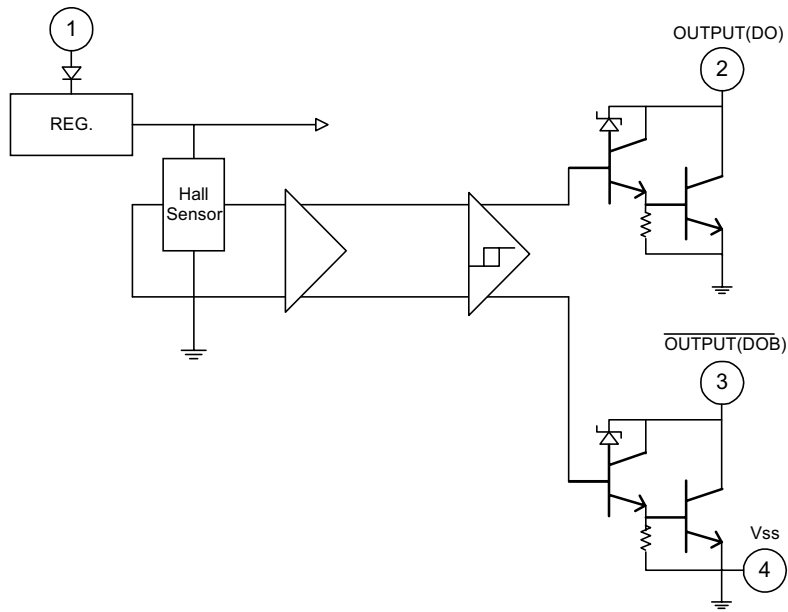
(Note 1) Output Zener protection voltage.

ATS266

High Voltage Hall Effect Latch



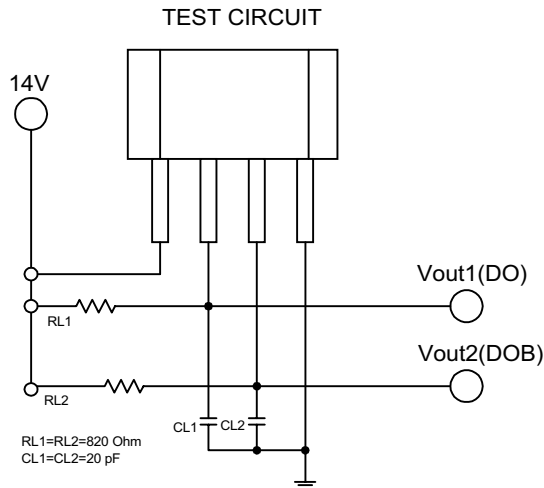
■ Block Diagram



■ Electrical Characteristics ($T=+25^{\circ}\text{C}$ $V_{cc}=4.0\text{V}$ to 20V)

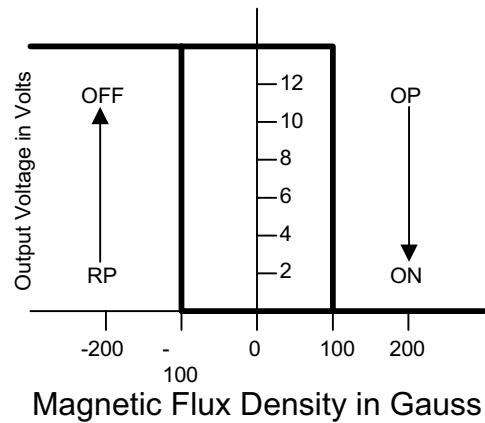
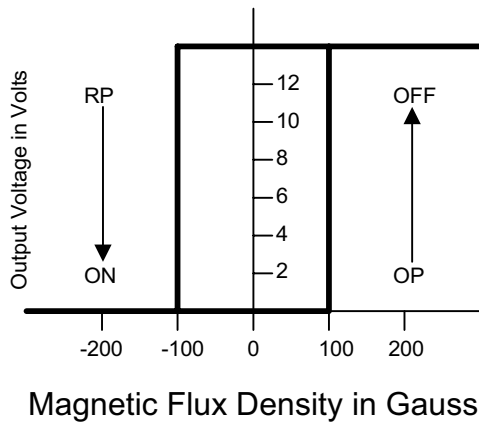
Characteristic	Symbol	Test Conditions	Min	Typ	Max	Units
Supply Voltage	V_{cc}	—	4.0	—	28	V
Output Saturation Voltage	$V_{ce(sat)}$	$V_{cc}=14\text{V}$, $I_c=400\text{mA}$	—	1.0	1.5	V
Output Leakage Current	I_{cex}	$V_{ce}=14\text{V}$, $V_{cc}=14\text{V}$	—	< 0.1	10	μA
Supply Current	I_{cc}	$V_{cc}=20\text{V}$, Output Open	—	10	15	mA
Output Rise Time	T_r	$V_{cc}=14\text{V}$, $R_L=820\Omega$, $C_L=20\text{pF}$	—	1.0	5	μs
Output Falling Time	t_f	$V_{cc}=14\text{V}$, $R_L=820\Omega$, $C_L=20\text{pF}$	—	1.0	1.5	μs
Switch Time Differential	Δt	$V_{cc}=14\text{V}$, $R_L=820\Omega$, $C_L=20\text{pF}$	—	3.0	10	μs

■ Test Circuit



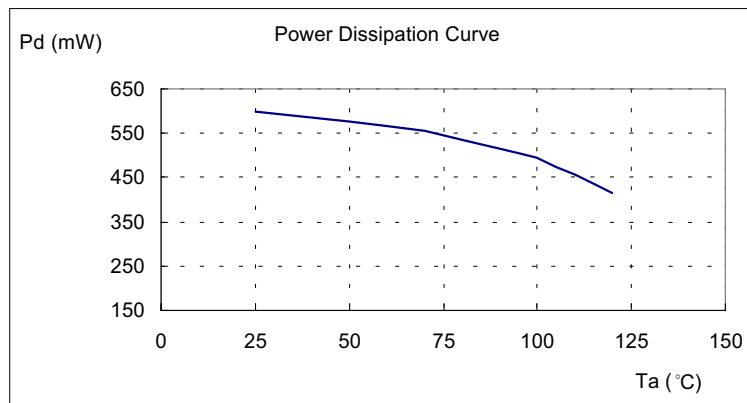
■ Magnetic Characteristics

Characteristic	Symbol	Ta=+25°C		Ta=0°C to 70°C		Units
		Min	Max	Min	Max	
Operate Point	Bop	---	100	---	100	G
Release Point	Brp	-100	---	-100	---	G
Hysteresis	Bhys	50	200	30	200	G



■ Performance Characteristics

Ta (°C)	25	50	60	70	80	85	90	95	100	105	110	115	120
Pd (mW)	600	575	565	555	535	525	515	505	495	475	455	435	415



Note : SIP-4L package

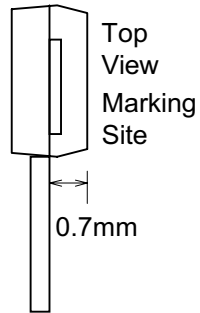
ATS266

High Voltage Hall Effect Latch

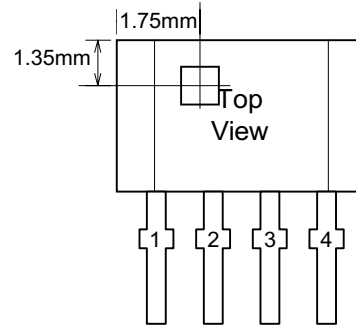


■ Package Information

Active Area Depth



Package Sensor Location



Package Dimension

